

Features

EN54-11 Approved	✓
Glass appearance maintains operator deterrence	✓
Positive activation that mimics the feel of breaking glass	✓
Visible warning flag and LED confirms activation	✓
Simple key to reset operating element - no broken glass	✓
No glass elements to break, lose or incorrectly fit during installation	✓
Complete functional test with every activation	✓
Extremely attractive, high value look and feel	✓
Low profile, heavy-duty terminations	✓
IP67 Waterproof Version available	✓

Listings / Approvals

CPR	0832-CPD-2099	✓
CE		✓

The ProFyre manual call point is a unique manual call point that mimics the feel of breaking glass whilst offering the user the benefits and environmental advantages of a re-settable operating element.

The manual call point uses a simple yet ingenious patented mechanism which consists of a rigid plastic operating element and an over centre spring mechanism. This arrangement provides real action on operation and simulates break glass activation.

An activation indicator drops into view at the top of the window after the manual call point has been operated. The unit is then simply reset with a key and is ready for re-use straight away.



ProFyre Addressable Manual Call Point



ProFyre Addressable Weatherproof Manual Call Point

The ProFyre manual call point is safe for use in all indoor areas including areas where glass cannot be used, e.g. food processing plants and swimming/leisure centres.

The waterproof ProFyre manual call point provides an ideal solution for all outside applications such as oil rigs, ships, factory's as well as wash down areas that are sensitive to broken glass.

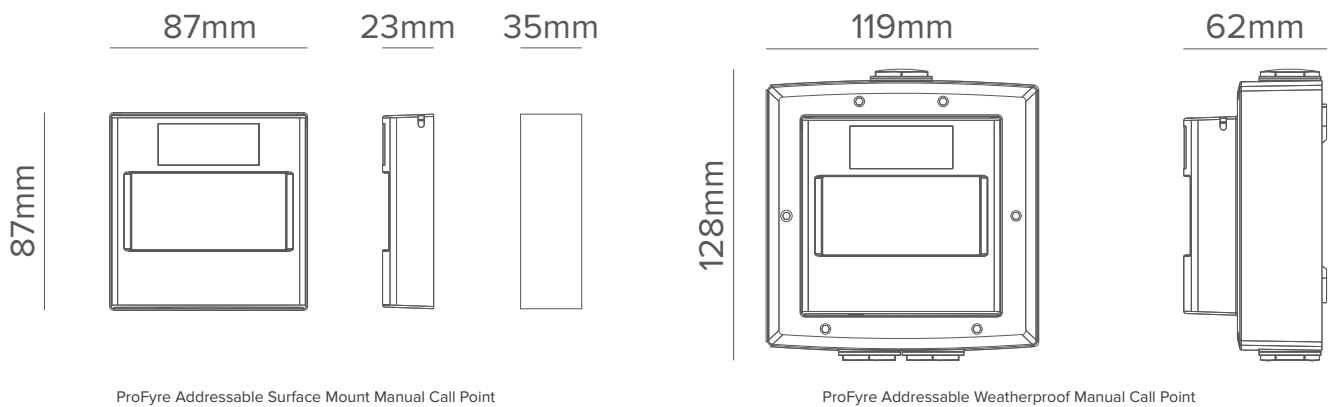
As the unit can be simply reset it provides an ideal solution for areas that suffer from a high number of false activations such as schools, shopping centres and other public places.

The addressable ProFyre manual call points are compatible with the analogue addressable ProFyre A4, A2 and T8 2-wire fire alarm systems.



Technical Specification

Type	ProFyre Addressable Manual Call Point	ProFyre Addressable Weatherproof Manual Call Point
Element Type	Resettable	
Operating Voltage	17 to 28Vdc	
Quiescent Current	600µA (Max)	
Alarm Current	2.5mA (Max)	
Operating Conditions	Tested to: -20°C to 60°C (-68°F to 140°F) Humidity: 0% to 95% RH, non-condensing	
IP Rating	IP32	IP67
Design Environment	Indoor Use Only	Outdoor Use
Mounting	Semi Flush or Surface	Surface



ProFyre Addressable Surface Mount Manual Call Point

ProFyre Addressable Weatherproof Manual Call Point

Ordering Information

16-020	ProFyre Addressable Surface Mount Manual Call Point
16-022	ProFyre Addressable Weatherproof Manual Call Point (Surface Mount Only)
40-001	ProFyre Call Point Protective Cover
40-002	ProFyre Call Point Reset Key
40-003	ProFyre Call Point Flush Mount Bezel

